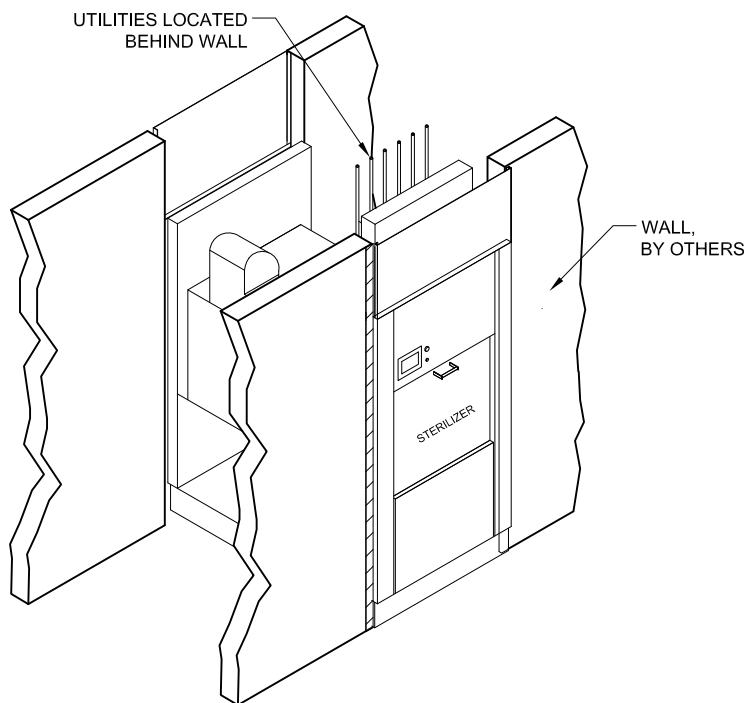


INSET UNIT



RECESSED UNIT

Belimed

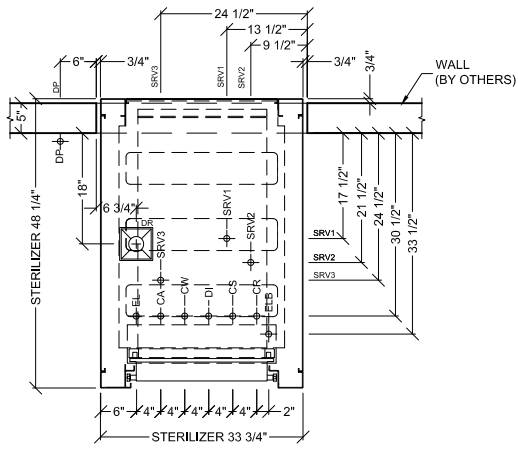
Infection Control

2284 Clements Ferry Road, Charleston, SC 29492
 Tel: (800) 457-4117 Web: www.belimed.us

BELIMED 509-VS2E
 VERTICAL STERILIZER

Typical installation of a Belimed 509-VS2E Sterilizer

Dwg. No. :	CUT-509-VS2E	Rev. :	A
Drawn By :	TJC	Date :	6/24/11
Scale :	N.T.S.	Page :	1 of 5



CLEAN SIDE

*SEE TECHNICAL SPECIFICATIONS ON PAGE 4

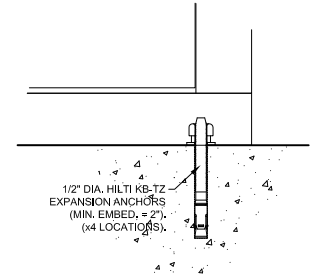
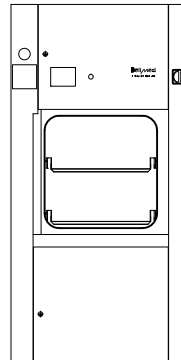
PLAN VIEW

LEGEND

⊗ — SERVICE SHUT-OFF VALVE, BY OTHERS

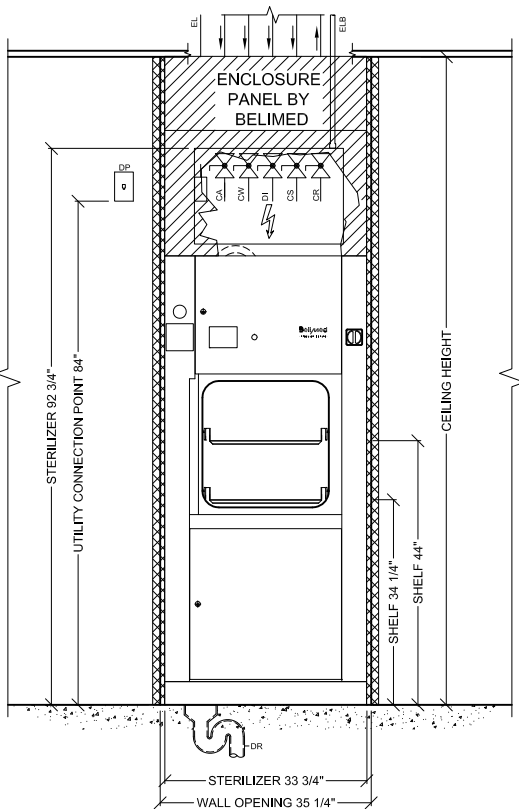
HATCH TYPES

- STAINLESS STEEL TRIM, BY BELIMED
- STAINLESS STEEL ENCLOSURES, BY BELIMED

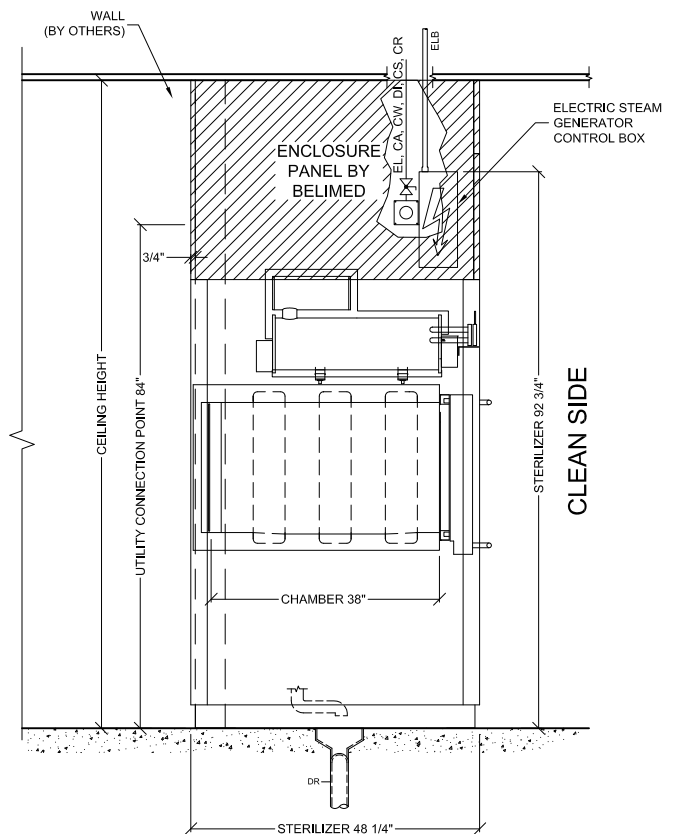


DETAIL "A"

TYPICAL SEISMIC ANCHORAGE DETAIL



FRONT ELEVATION



SIDE ELEVATION



Infection Control

2284 Clements Ferry Road, Charleston, SC 29492
Tel: (800) 457-4117 Web: www.belimed.us

BELIMED 509-VS2E
VERTICAL STERILIZER

TECHNICAL DRAWING

Dwg. No.: CUT-509-VS2E

Rev.: A

Typical installation of an inset
Belimed 509-VS2E Sterilizer.

Drawn By: TJC

Date: 6/24/11

Scale: 3/8" = 1'

Page: 2 of 5

509-VS2E STERILIZER (W/ INTERGRATED BOILER) - TECHNICAL SPECIFICATIONS

REQUIRED INPUTS

Symbol	Description	Value	Utility Notes
DI	<i>Utility:</i>	Deionized Water	Deionized (DI) or Reverse Osmosis (RO) water can be used with a conductivity <30 µS/cm
	<i>Connection Size/Type:</i>	1/4 inch / NPT	
	<i>Pressure:</i>	Min: 30 Max: 70 psig	
	<i>Peak Consumption:</i>	0.44 gal/min	
	<i>*Consumption per Load:</i>	2.5 gal	
CW	<i>Utility:</i>	Cold Water	Cold water is used to prime the condensate pump and cool the condensate. Colder water temperatures will result in less water consumption. Water should be softened to 0-60 ppm. Use sediment filter similar to Grainger part No. 4BA87.
	<i>Connection Size/Type:</i>	1/2 inch / NPT	
	<i>Pressure:</i>	Min: 30 Max: 70 psig	
	<i>Peak Consumption:</i>	4.4 gal/min	
	<i>*Consumption per Load:</i>	40 gal	
CA	<i>Utility:</i>	Compressed Air	Air must be dry and oil free. Used to operate pneumatic control system.
	<i>Connection Size/Type:</i>	1/4 inch / NPT	
	<i>Pressure:</i>	Min: 70 Max: 100 psig	
	<i>Peak Consumption:</i>	1 CFM	
	<i>*Consumption per Load:</i>	10 ft ³	
EL	<i>Utility:</i>	Electric	4x4 Junction Box with Receptacle: NEMA 15-20R receptacle. Grainger part No. 5C793.
	<i>Connection Type:</i>	Receptacle	
	<i>Voltage (Nominal):</i>	208 VAC	
	<i>Voltage (Phase):</i>	3 Phase	
	<i>Voltage (Frequency):</i>	60 Hz	
	<i>Circuit Protection:</i>	10 Amps	
	<i>Peak Consumption:</i>	1.6 Kw	
	<i>*Consumption per Load:</i>	0.5 kWh	
ELB	<i>Utility:</i>	Electric for boiler	
	<i>Connection Type:</i>	1 1/4 inch / EMT	
	<i>Voltage (Nominal):</i>	480 VAC	
	<i>Voltage (Phase):</i>	3 Phase	
	<i>Voltage (Frequency):</i>	60 Hz	
	<i>Circuit Protection:</i>	50 Amps	
	<i>Peak Consumption:</i>	30 Kw	
	<i>*Consumption per Load:</i>	8 kWh	
DR	<i>Utility:</i>	Open Drain	Provide flush mounted floor sink and trap per local code.
	<i>Connection Size/Type:</i>	2 inch / Indirect Drain	
	<i>Discharge Flow Rate:</i>	4.6 gal/min	
	<i>*Consumption per Load:</i>	42.5 gal	
HR	<i>Medium:</i>	Heat Radiation	1 kW dissipated in service room with temperature 86°F.
	<i>Radiation:</i>	1 kW	
SRV1	<i>Utility (Chamber):</i>	Safety Pressure Relief Valve	Provide connection to safety relief valve and pipe to drain, atmosphere, or as required by local code.
	<i>Outlet Size/Type:</i>	1 inch / FNPT	
SRV2	<i>Utility (Jacket):</i>	Safety Pressure Relief Valve	Provide connection to safety relief valve and pipe to drain, atmosphere, or as required by local code.
	<i>Outlet Size/Type:</i>	1 inch / FNPT	
SRV3	<i>Utility (Boiler):</i>	Safety Pressure Relief Valve	Provide connection to safety relief valve and pipe to drain, atmosphere, or as required by local code.
	<i>Outlet Size/Type:</i>	1 inch / FNPT	

CONTINUED ON PAGE 5



Infection Control

2284 Clements Ferry Road, Charleston, SC 29492
Tel: (800) 457-4117 Web: www.belimed.us

BELIMED 509-VS2E VERTICAL STERILIZER

TECHNICAL SPECIFICATIONS

Technical Specifications for the installation
a Belimed 509-VS2E Sterilizer.

Dwg. No. : CUT-509-VS2E	Rev. : A
Drawn By : TJC	Date : 6/24/11
Scale : NTS	Page : 4 of 5

Optional utilities for chilled water cooling (used for reduction of cold water consumption).

CS	Utility:	Chilled Water Supply	
	Connection Size/Type:	3/4 inch / NPT	
	Pressure:	Min: 30 Max: 70 psig	
	Peak Cooling Load:	8.0 kW	
	*Consumption per Load:	24.6 kBTU	
CR	Utility:	Chilled Water Return	Pressure difference ΔP CS/CR must be greater than 7 PSIG.
	Connection Size/Type:	3/4 inch / NPT	

PHYSICAL SPECIFICATIONS

	Parameter:	Carry-In Dimensions	Machine Alone (i.e. removed from packaging)
	Height:	79.5 in	
	Width:	33.7 in	
	Length:	48.3 in	
	Parameter:	Weights	Transport Weight = Machine + Crating Operating Weight = Machine + Load
	Sterilizer Model:	509-VS2E	
	Transport Weight:	1918 lbs	
	Operating Weight:	1587 lbs	

*Consumptions calculated under pre-vac cycle at 270° F and water temperature of 68° F.

Additional Information:

- NPT = Male pipe thread -FNPT = Female pipe thread
- Others must provide service connections for all utility supplies..
- Others must provide back flow prevention for water supply.
- All utility supplies and connections are other's responsibility.

TS-509VS1E/VS2E_RevA

Requirements at Sterilizer(s) with TCP/IP connection

Symbol	Utility	Description	
DP	Data Port	Connection Method:	TCP/IP Ethernet to hospital network
		Connection Quantity:	One (1) RJ45 Ethernet port per sterilizer
		Facility Wiring:	*Cat-5 or Cat-6 wire
		Location:	Ethernet port should be located within 5 ft of machine
			Preferred Ethernet port location is in the enclosed service area of the sterilizer
		Final Connection:	Belimed provided patch cables for final connection
		Port IP setup:	Each RJ45 Ethernet Port with individual static IP address

* Decision depends upon facility's networking preference. Please contact Belimed with any questions.

TS-ICS8535-ST_RevB



Infection Control

2284 Clements Ferry Road, Charleston, SC 29492
Tel: (800) 457-4117 Web: www.belimed.us

BELIMED 509-VS2E
VERTICAL STERILIZER

TECHNICAL SPECIFICATIONS	Dwg. No. : CUT-509-VS2E	Rev. : A
Technical Specifications for the installation a Belimed 509-VS2E Sterilizer.	Drawn By : TJC	Date : 6/24/11
	Scale : NTS	Page : 5 of 5