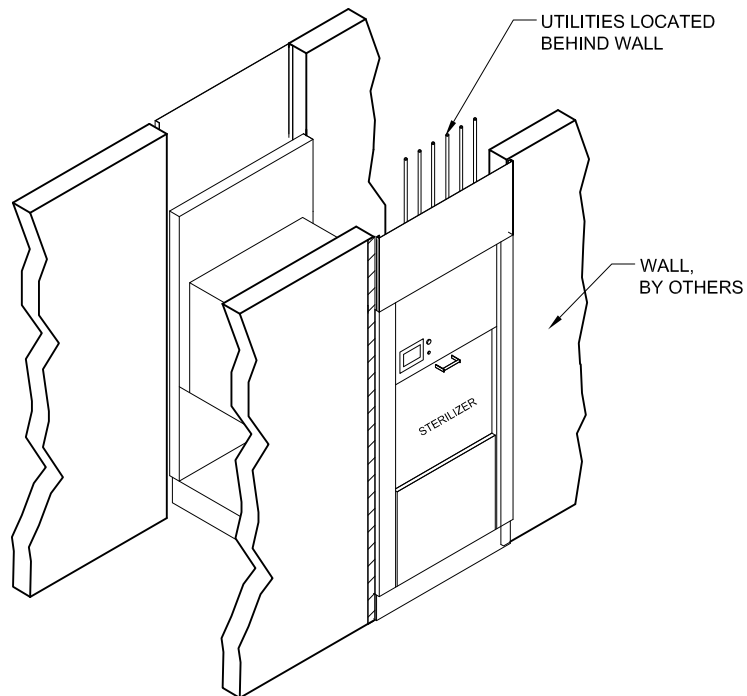


INSET UNIT



RECESSED UNIT

Belimed

Infection Control

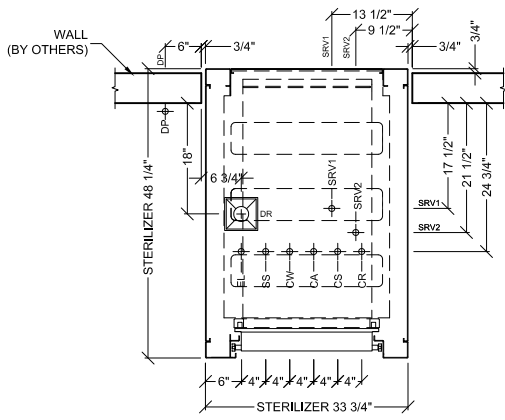
2284 Clements Ferry Road, Charleston, SC 29492
Tel: (800) 457-4117 Web: www.belimed.us

BELIMED 509-VS2
VERTICAL STERILIZER

Typical installation of a Belimed 509-VS2 Sterilizer

Dwg. No. :	CUT-509-VS2	Rev. :	A
Drawn By :	TJC	Date :	6/24/11
Scale :	N.T.S.	Page :	1 of 5

STERILE SIDE



CLEAN SIDE

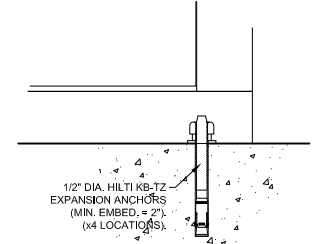
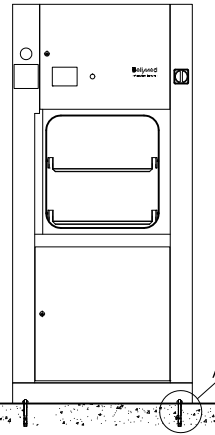
*SEE TECHNICAL SPECIFICATIONS ON PAGE 4

LEGEND

- SERVICE SHUT-OFF VALVE, BY OTHERS
- STEAM PARTICLE STRAINER, BY OTHERS

HATCH TYPES

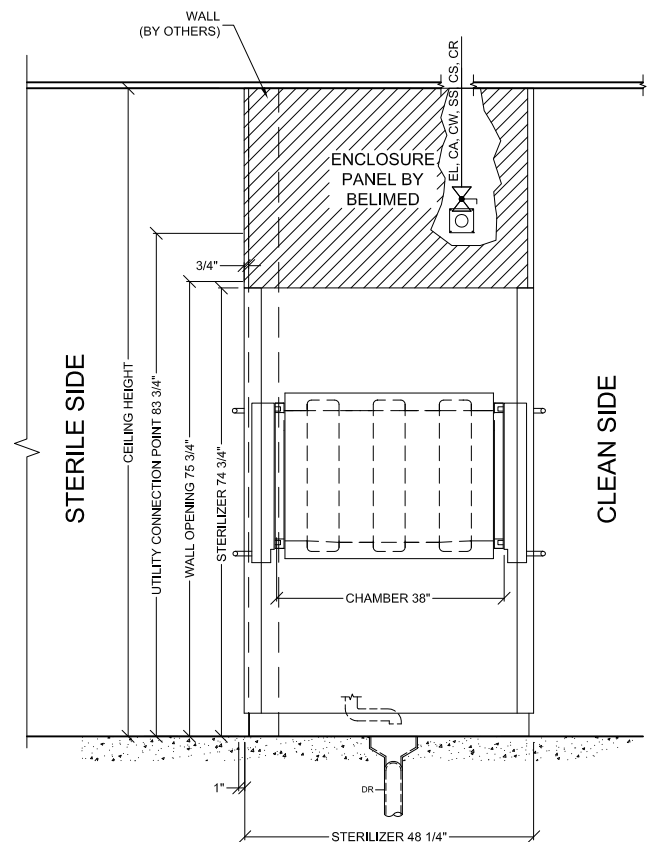
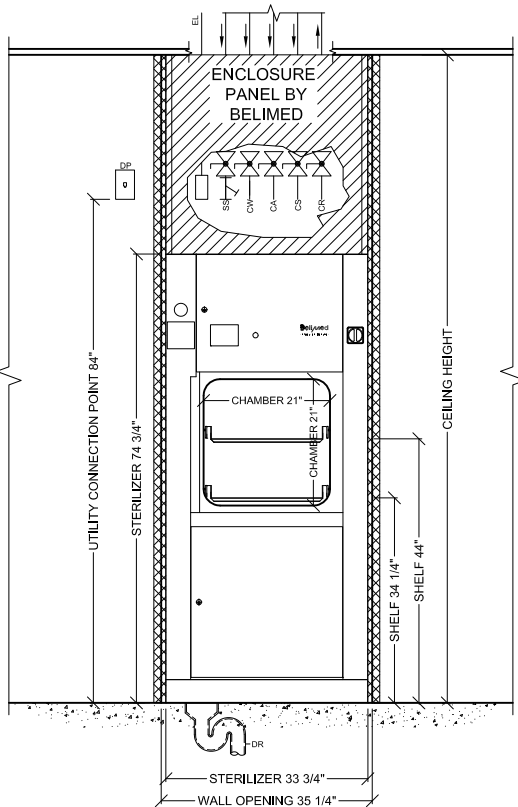
- STAINLESS STEEL ENCLOSURES, BY BELIMED
- STAINLESS STEEL TRIM, BY BELIMED



DETAIL "A"

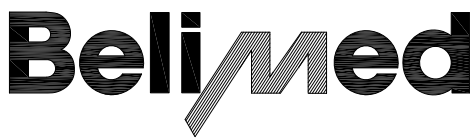
PLAN VIEW

TYPICAL SEISMIC ANCHORAGE DETAIL



FRONT ELEVATION

SIDE ELEVATION



Infection Control

2284 Clements Ferry Road, Charleston, SC 29492
Tel: (800) 457-4117 Web: www.belimed.us

BELIMED 509-VS2
VERTICAL STERILIZER

TECHNICAL DRAWING

Dwg. No.: CUT-509-VS2

Rev.: A

Typical installation of an inset
Belimed 509-VS2 Sterilizer.

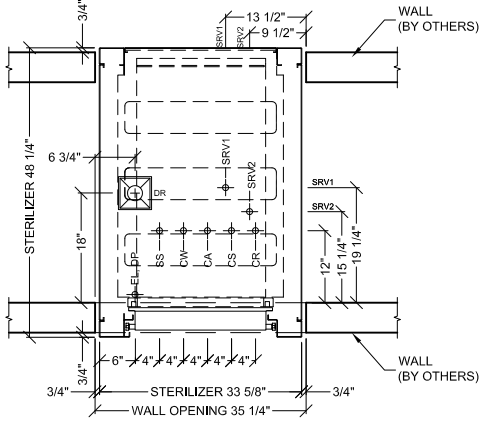
Drawn By: TJC

Date: 6/24/11

Scale: 3/8" = 1'

Page: 2 of 5

STERILE SIDE



CLEAN SIDE

*SEE TECHNICAL SPECIFICATIONS ON PAGE 4

LEGEND

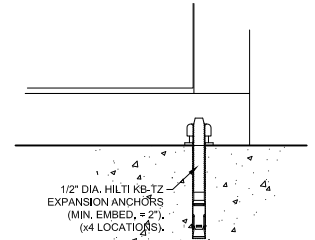
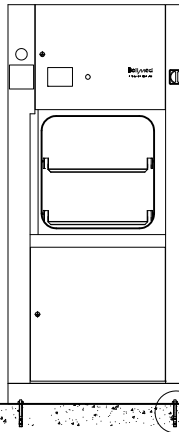
SERVICE SHUT-OFF VALVE, BY OTHERS

STEAM PARTICLE STRAINER, BY OTHERS

HATCH TYPES

STAINLESS STEEL TRIM, BY BELIMED

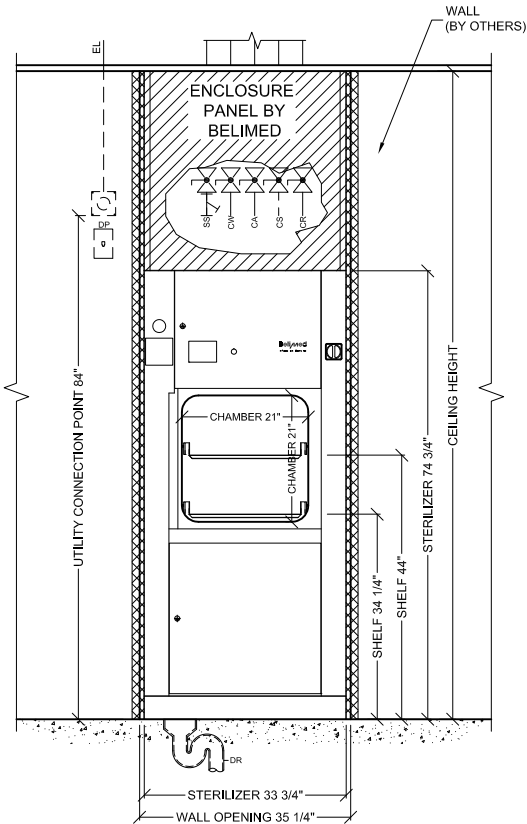
STAINLESS STEEL ENCLOSURES, BY BELIMED



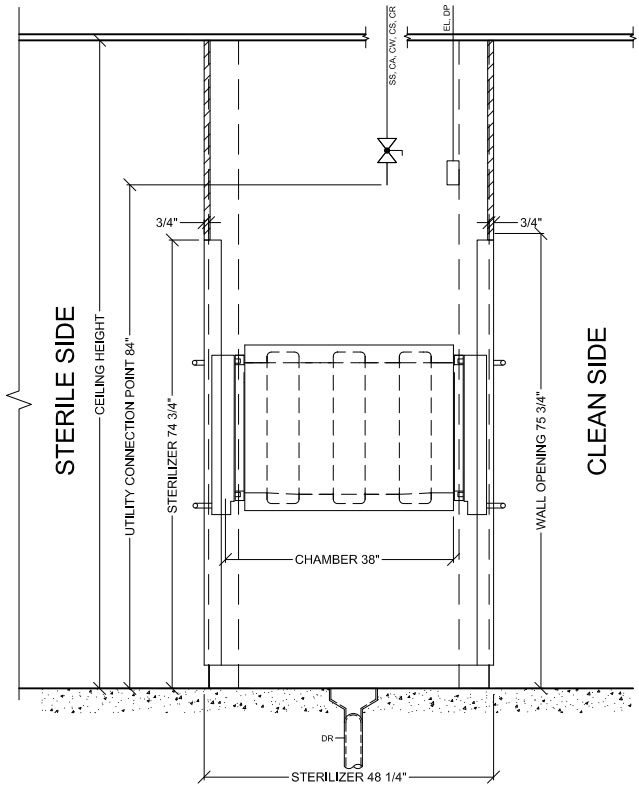
DETAIL "A"

PLAN VIEW

TYPICAL SEISMIC ANCHORAGE DETAIL



FRONT ELEVATION



SIDE ELEVATION



Infection Control

2284 Clements Ferry Road, Charleston, SC 29492
Tel: (800) 457-4117 Web: www.belimed.us

BELIMED 509-VS2
VERTICAL STERILIZER

TECHNICAL DRAWING

Dwg. No.: CUT-509-VS2

Rev.: A

Typical installation of a recessed Belimed 509-VS2 Sterilizer.

Drawn By: TJC

Date: 6/24/11

Scale: 3/8" = 1'

Page: 3 of 5

509-VS2 STERILIZER - TECHNICAL SPECIFICATIONS

REQUIRED INPUTS

Symbol	Description	Value	Utility Notes
SS	<i>Utility:</i>	Steam	Steam must be dry, saturated, and free from all impurities such as gases, oil, dirt, or other contaminants. Provide adequate steam strainer typical for sterilizers. All steam drops must be piped from top of steam supply line.
	<i>Connection Size/Type:</i>	3/4 inch / NPT	
	<i>Pressure:</i>	Min: 40 Max: 60 psig	
	<i>Peak Consumption:</i>	1.5 lbs/min	
	<i>*Consumption per Load:</i>	20 lbs	
CW	<i>Utility:</i>	Cold Water	Cold water is used to prime the condensate pump and cool the condensate. Colder water temperatures will result in less water consumption. Water should be softened to 0-60 ppm. Use sediment filter similar to Grainger part No. 4BA87.
	<i>Connection Size/Type:</i>	1/2 inch / NPT	
	<i>Pressure:</i>	Min: 30 Max: 70 psig	
	<i>Peak Consumption:</i>	4.4 gal/min	
	<i>*Consumption per Load:</i>	40 gal	
CA	<i>Utility:</i>	Compressed Air	Air must be dry and oil free. Used to operate pneumatic control system.
	<i>Connection Size/Type:</i>	1/4 inch / NPT	
	<i>Pressure:</i>	Min: 70 Max: 100 psig	
	<i>Peak Consumption:</i>	1 CFM	
	<i>*Consumption per Load:</i>	10 ft ³	
EL	<i>Utility:</i>	Electric	4x4 Junction Box with Receptacle. NEMA 15-20R receptacle. Grainger part No. 5C793.
	<i>Connection Type:</i>	Receptacle	
	<i>Voltage (Nominal):</i>	208 VAC	
	<i>Voltage (Phase):</i>	3 Phase	
	<i>Voltage (Frequency):</i>	60 Hz	
	<i>Circuit Protection:</i>	10 Amps	
	<i>Peak Consumption:</i>	1.6 Kw	
	<i>*Consumption per Load:</i>	0.5 kWh	
DR	<i>Utility:</i>	Open Drain	Provide flush mounted floor sink and trap per local code.
	<i>Connection Size/Type:</i>	2 inch / Indirect Drain	
	<i>Discharge Flow Rate:</i>	4.6 gal/min	
	<i>*Consumption per Load:</i>	42.4 gal	
HR	<i>Medium:</i>	Heat Radiation	1 kW dissipated in service room with temperature 86°F.
	<i>Radiation:</i>	1 kW	
SRV1	<i>Utility (Chamber):</i>	Safety Pressure Relief Valve	Provide connection to safety relief valve and pipe to drain, atmosphere, or as required by local code.
	<i>Outlet Size/Type:</i>	1 inch / FNPT	
SRV2	<i>Utility (Jacket):</i>	Safety Pressure Relief Valve	Provide connection to safety relief valve and pipe to drain, atmosphere, or as required by local code.
	<i>Outlet Size/Type:</i>	1 inch / FNPT	

Optional utilities for chilled water cooling (used for reduction of cold water consumption).

CS	<i>Utility:</i>	Chilled Water Supply	
	<i>Connection Size/Type:</i>	3/4 inch / NPT	
	<i>Pressure:</i>	Min: 30 Max: 70 psig	
	<i>Peak Consumption:</i>	8.0 kW	
	<i>*Consumption per Load:</i>	24.6 kBTU	
CR	<i>Utility:</i>	Chilled Water Return	Pressure difference ΔP CS/CR must be greater than 7 PSIG.
	<i>Connection Size/Type:</i>	3/4 inch / NPT	

CONTINUED ON PAGE 5



Infection Control

2284 Clements Ferry Road, Charleston, SC 29492
Tel: (800) 457-4117 Web: www.belimed.us

BELIMED 509-VS2 VERTICAL STERILIZER

TECHNICAL SPECIFICATIONS

Dwg. No.: CUT-509-VS2

Rev.: A

Technical Specifications for the installation
a Belimed 509-VS2 Sterilizer.

Drawn By: TJC

Date: 6/24/11

Scale: NTS

Page: 4 of 5

PHYSICAL SPECIFICATIONS

	Parameter:	Carry-In Dimensions	Machine Alone (i.e. removed from packaging)
	Height:	77.8 in	
	Width:	33.7 in	
	Length:	48.3 in	
	Parameter:	Weights	Transport Weight = Machine + Crating Operating Weight = Machine + Load
	Sterilizer Model:	509-VS2	
	Transport Weight:	1808 lbs	
	Operating Weight:	1477 lbs	

*Consumptions calculated under pre-vac cycle at 270° F and water temperature of 68° F.

Additional Information:

- NPT = Male pipe thread -FNTP = Female pipe thread
- Others must provide service connections for all utility supplies.
- Others must provide back flow prevention for water supply.
- All utility supplies and connections are other's responsibility.

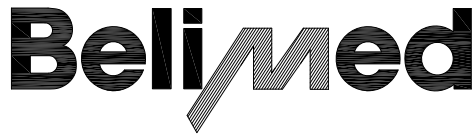
TS-509VS1/VS2_RevA

Requirements at Sterilizer(s) with TCP/IP connection

Symbol	Utility	Description	
DP	Data Port	Connection Method:	TCP/IP Ethernet to hospital network
		Connection Quantity:	One (1) RJ45 Ethernet port per sterilizer
		Facility Wiring:	*Cat-5 or Cat-6 wire
		Location:	Ethernet port should be located within 5 ft of machine
			Preferred Ethernet port location is in the enclosed service area of the sterilizer
		Final Connection:	Belimed provided patch cables for final connection
Port IP setup:	Each RJ45 Ethernet Port with individual static IP address		

* Decision depends upon facility's networking preference. Please contact Belimed with any questions.

TS-ICS8535-ST_RevB



Infection Control

2284 Clements Ferry Road, Charleston, SC 29492
Tel: (800) 457-4117 Web: www.belimed.us

BELIMED 509-VS2 VERTICAL STERILIZER

TECHNICAL SPECIFICATIONS

Technical Specifications for the installation
a Belimed 509-VS2 Sterilizer.

Dwg. No. :	CUT-509-VS2	Rev. : A
Drawn By :	TJC	Date : 6/24/11
Scale :	NTS	Page : 5 of 5