

ADJUSTABLE WIDTH FOR WALL THICKNESS BETWEEN (4" AND 6")

**Belimed**

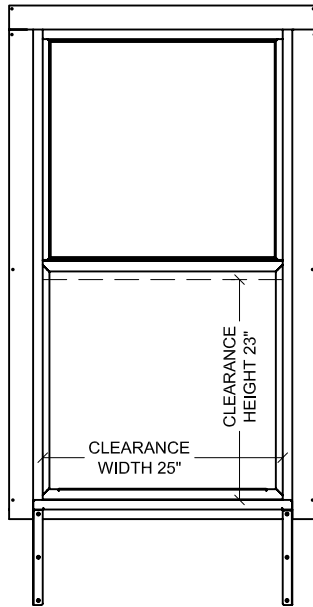
Infection Control

13840 S.W. 119 Avenue - Miami, FL 33186-6006  
 (305) 252-3338 - Fax: (305) 234-1115  
 E-mail: home@bellmedusa.com

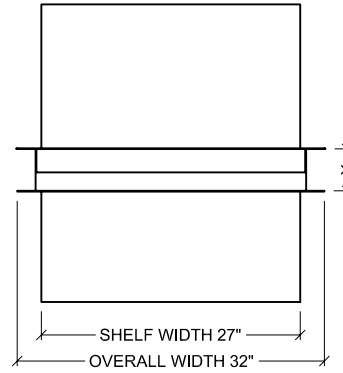
**PASS-THRU WINDOW**

DOUBLE HUNG WINDOW WITH SHELVES

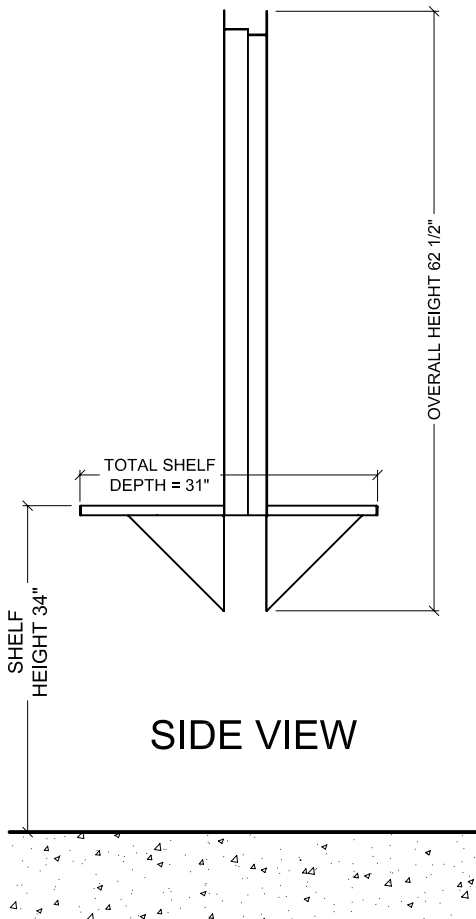
Dwg. No. : PTW-WDT1	Date : 1/25/06	Scale : NTS	PAGE 1 of 2
Stainless steel double hung pass-thru window with shelves. Compatible with wall thickness' of 4"-6".		CAD Operator : NG	
Revision : 1	ISOMETRIC		



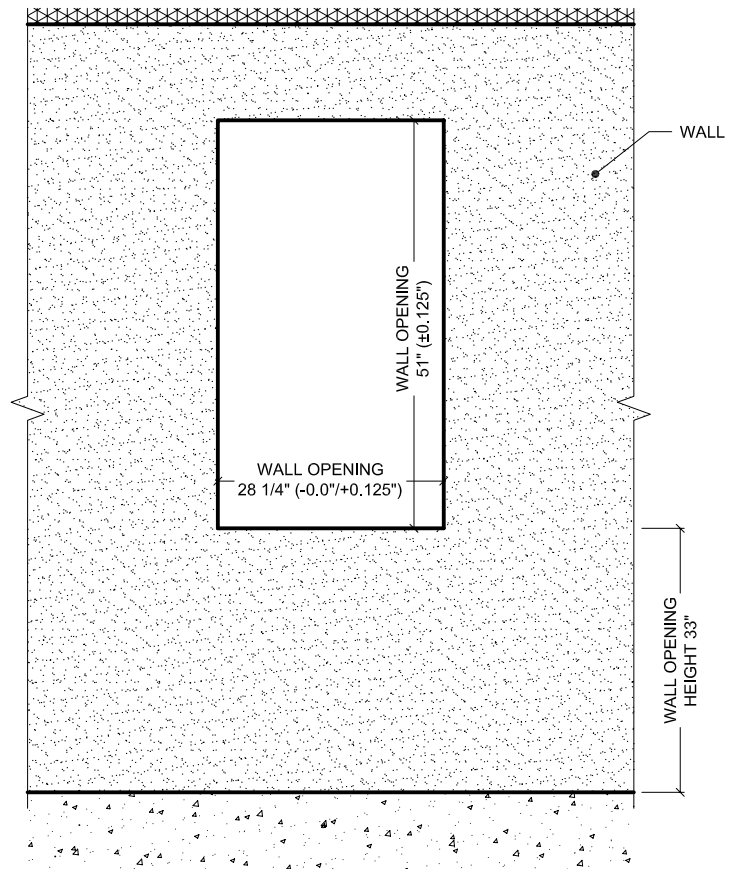
FRONT VIEW



TOP VIEW



SIDE VIEW



CUSTOMER TO PROVIDE **WOOD** FRAMING ALL AROUND WALL OPENING.

FRONT VIEW  
(SITE PREPARATION DETAIL)

SCALE: 1/2" = 1'

**Belimed**  
Infection Control

13840 S.W. 119 Avenue - Miami, FL 33186-6006  
(305) 252-3338 - Fax: (305) 234-1115  
E-mail: home@bellmedusa.com

**PASS-THRU WINDOW**  
DOUBLE HUNG WINDOW WITH SHELVES

Dwg. No. : PTW-WDT1	Date : 1/25/06	Scale : NTS	PAGE 2 of 2
Stainless steel double hung pass-thru window with shelves. Compatible with wall thickness' of 4"-6".		CAD Operator : NG	
Revision : 1		ISOMETRIC	