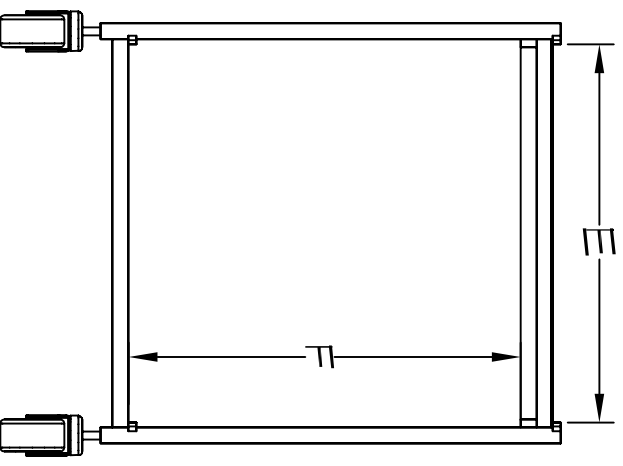
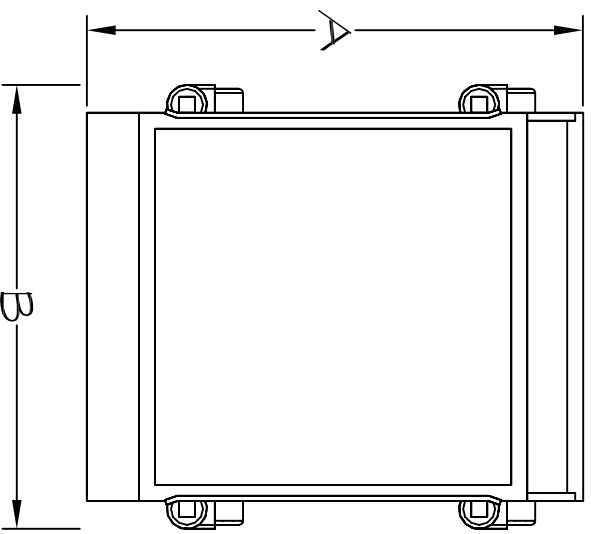
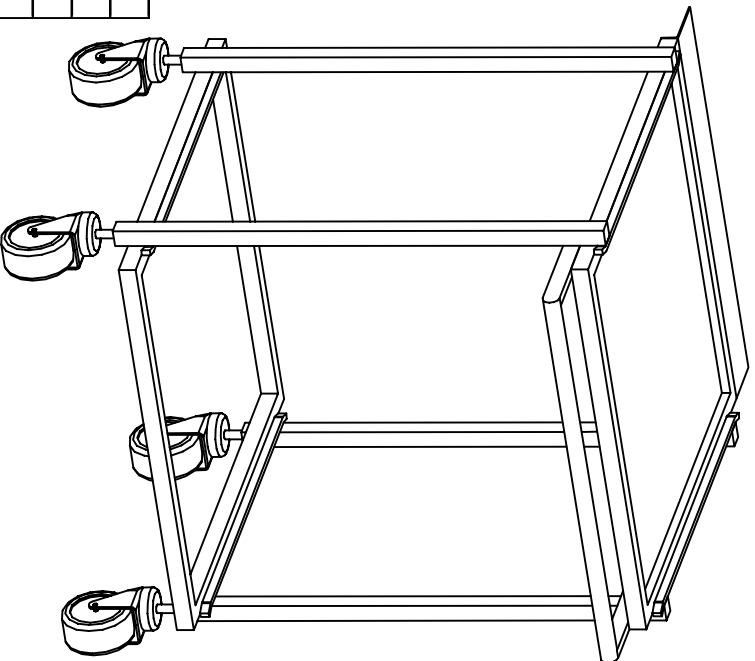
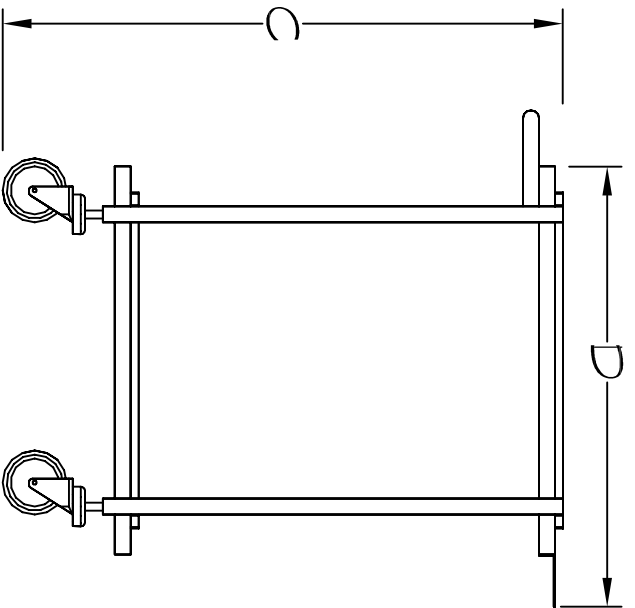


TRANSPORT CART

for WD 250
Part # 105501



Rack Specifications

A	Overall length	31"
B	Overall width	28.25"
C	Overall height	35"
D	Net usable length	27.5"
E	Net usable width	24.25"
F	Net usable height	24.25"
#	Total dry weight	39 lbs.

Details: Use for transporting racks. Features include: adjustable height, 4 swivel casters (2 with brakes), and removable top (tray) for easy cleaning.