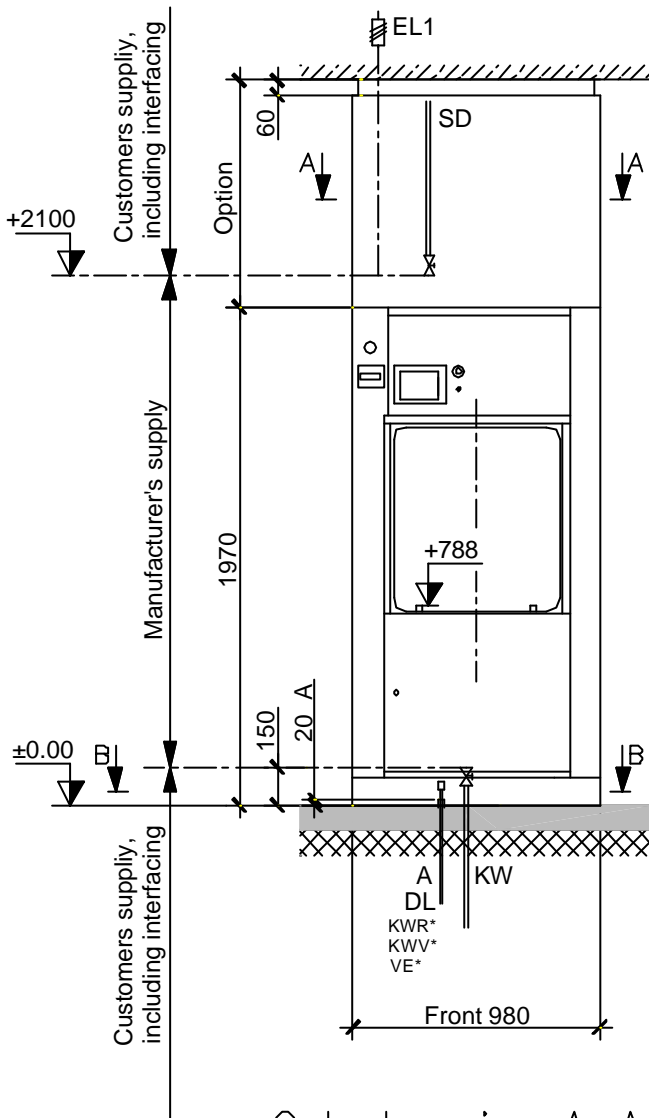


Front view

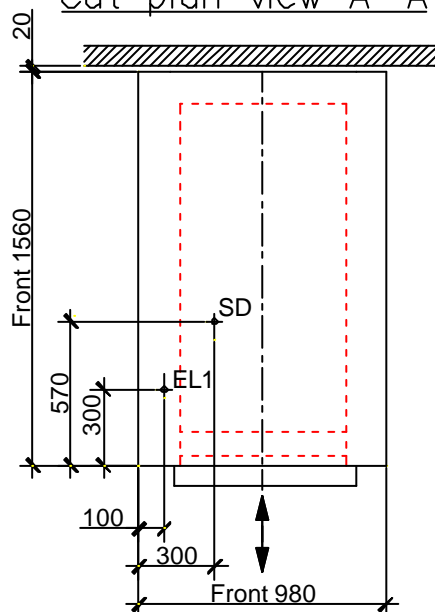


Utility connections

The customer shall provide all supply connection lines with a built in manual stop-cock. All connection assemblies between the sterilizer and supply exhaust lines (customer's supply) are designed with flexible, pressure-resistant tubes made of 316L material: in that way, mechanical tolerances of +/-25 mm in any direction can be easily compensated which results in short assembly times. Only exception is the steam supply <SD> which is realized in a rigid manner.

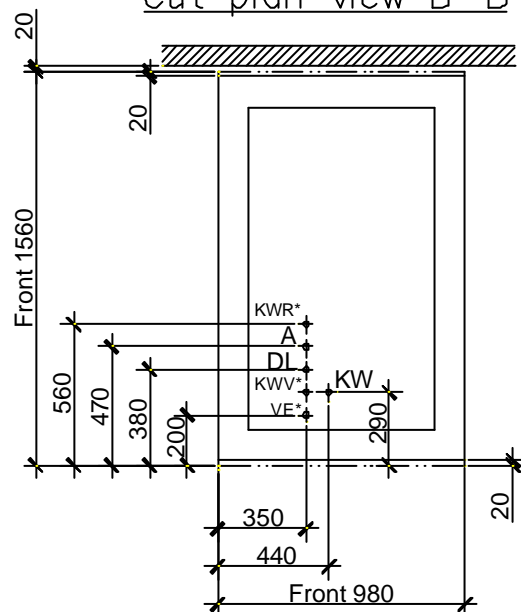
When the exhaust line will be neither connected nor led outside the tubing ends up in a bend oriented upwards.

Cut plan view A-A



* = Optional

Cut plan view B-B



Dimensions

Capacity	Chamber dimensions		Overall dimensions		Weights	
8 StE	Height	660 mm	Height	1970 mm	Transport	approx. 870 kg
	Width	660 mm	Width	980 mm	Operating	approx. 1040 kg
	Depth	1300 mm	Depth	1560 mm	Test	approx. 1580 kg

Supply connections and consumption figures

Symbol	Medium	Nominal diameter	Pressure in bar	Customers supply	Peak	Consumption per batch with normal load
Standard-Supply lines						
SD	Sterilizing Steam	DN 20	2.5 – 3.0	Sleeve 3/4"	70 kg/h	19 kg
KW	Tap water for vacuum pump, ~15 °C	DN 15	2.0 – 5.0	Sleeve 1/2"	1.2 m ³ /h	220 l
DL	Compressed air, oil-free	DN 8	5.0 – 7.0	Sleeve 1/4"	5.0 m ³ /h ¹	0.3 m ³ ¹
EL1	Electric supply: 3L+N+PE, 50 Hz, nominal current 5.5 A, fuse 16 A			230/400 V	1.7 kW	0.5 kWh
Standard-Waste line						
A	Floor drain (fixed)	DN 32		Sleeve 1 "	max. 20 l/min	
	Floor drain	DN 50				
	Air outflow from service room, ΔT approx. 10 K heat flow of 2.0 kW to be dissipated, temperature in service room ~30°C				600 m ³ /h ¹	
Option: with Electrical Steam Generator						
VE	Deminerlized water	DN 8	2.0 – 5.0	Sleeve 1/4"	0.1 m ³ /h	20 l
EL1	Electric: 3L+N+PE, 50 Hz, nominal current 70 A, fuse 80 A			230/400 V	47 kW	15 kWh
Option: with Cooling water circuit						
KWV	Cooling water supply: T1 ~10 °C, ΔT ~15 K	DN 20	2.0 – 5.0	Muff 3/4"	2 m ³ /h	600 l Discharge
KWR	Cooling water return Δp KWV/KWR > 0,5 bar	DN 20		Muff 3/4"		

¹ Standard discharge condition 0°C / 1013 mbar